



GAZEEBO

OUTDOOR FURNITURES >



LITTER BINS



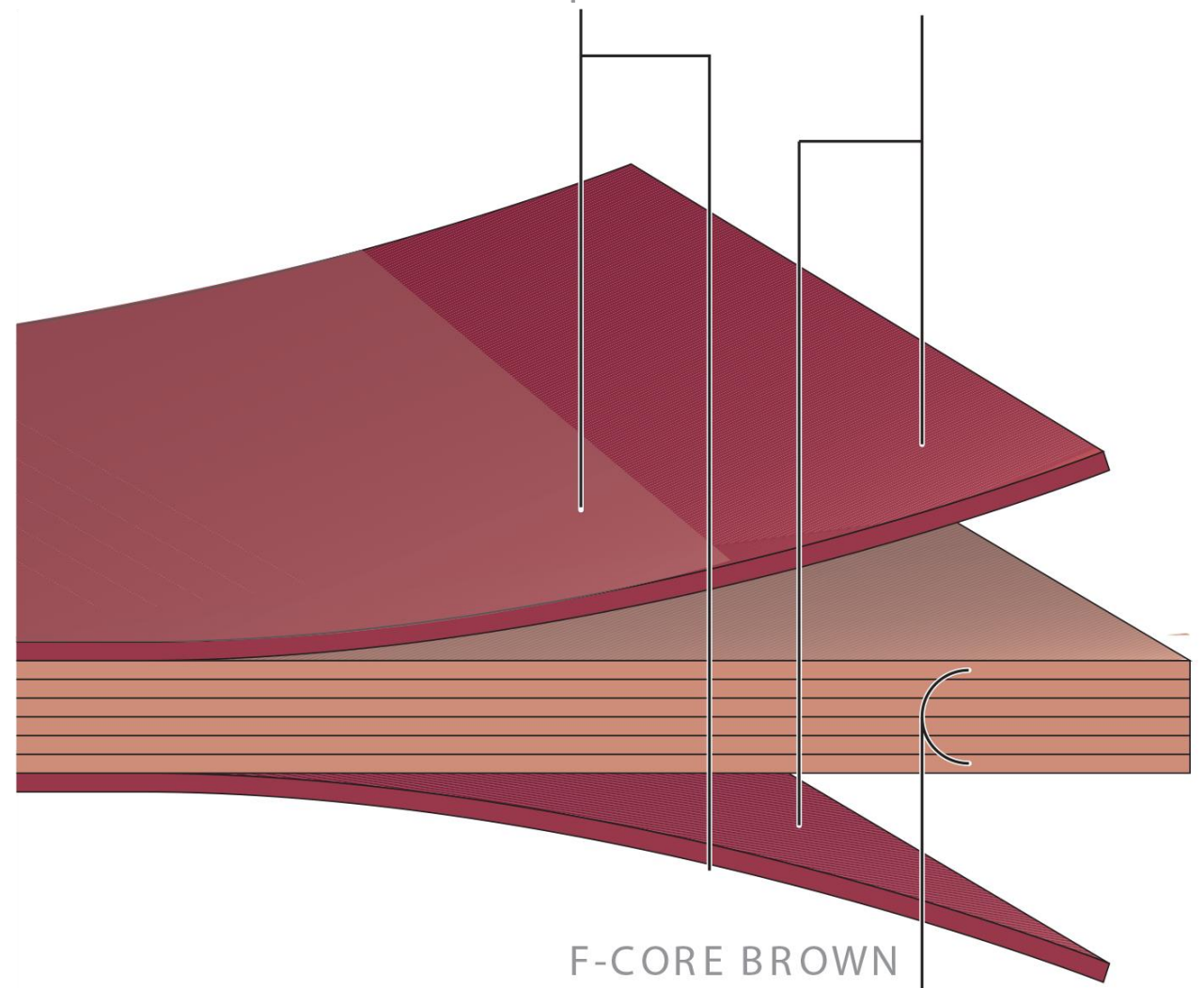
PARK BENCHES

ACRYLIC PUR-RESIN
(weather protection)

PLAIN-COLOUR
OR PRINTED DECOR

F-CORE BROWN
(flame-retardant)

- 
EXTREMELY WEATHER RESISTANT
- 
OPTIMAL LIGHT-FASTNESS
- 
DOUBLE HARDENED
- 
SCRATCH RESISTANT
- 
SOLVENT RESISTANT
- 
EASY TO CLEAN
- 
IMPACT RESISTANT
- 
EASY TO INSTALL



Properties:

- Weather resistant to EN ISO 4892-2
- Lightfast acc. To EN ISO 4892-3
- Double hardened
- Scratch resistant
- Solvent resistant
- Hail resistant
- Easy to clean
- Impact resistant EN ISO 178
- Suitable for all exterior applications
- Decorative
- Self-supporting
- Bending resistance EN ISO 178
- Frost resistant -80 C to 180 C
- Heat resistant -80 C to 180 C
- Easy to install

STRUCTURE & ADVANTAGES OF USING EXTERIOR PANELS



PARK BENCHES

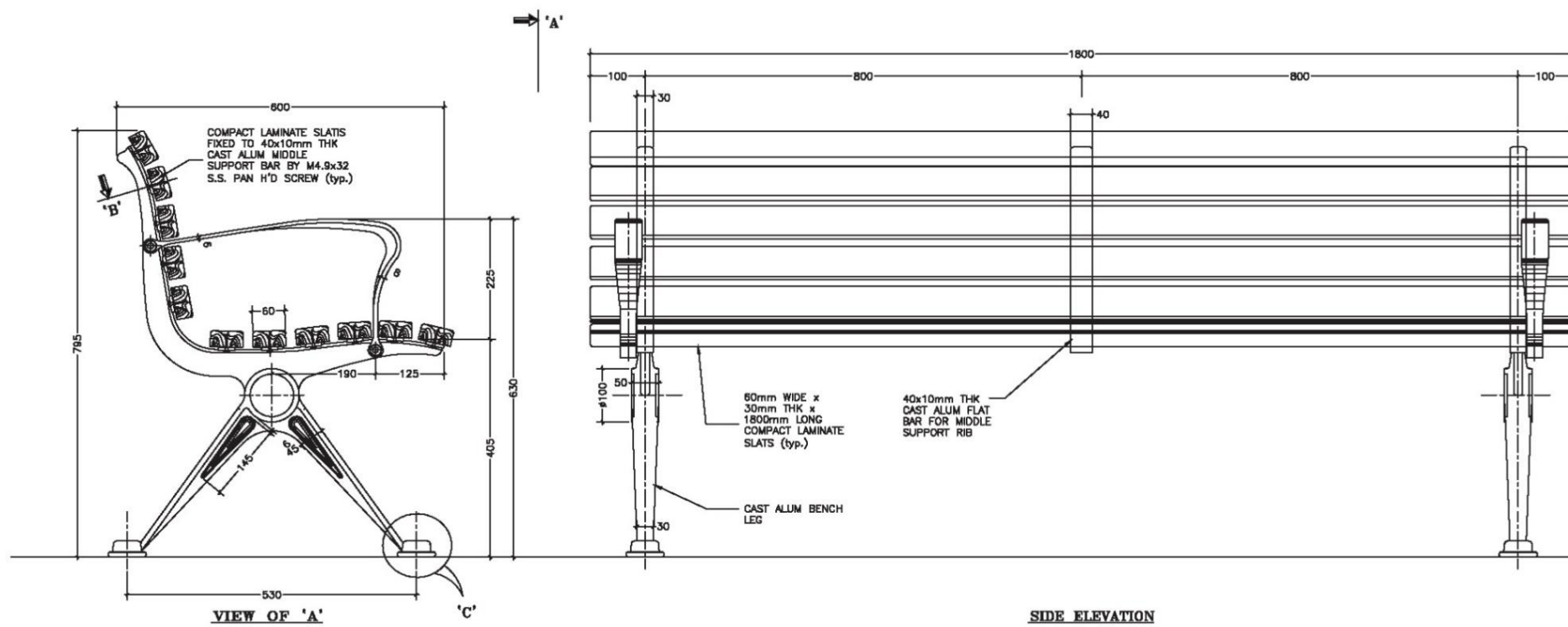


PARK BENCHES MODELS





MODEL - PB 90



1. Bench slats made of
13mm HPL flat panels
Colour: refer colour options.

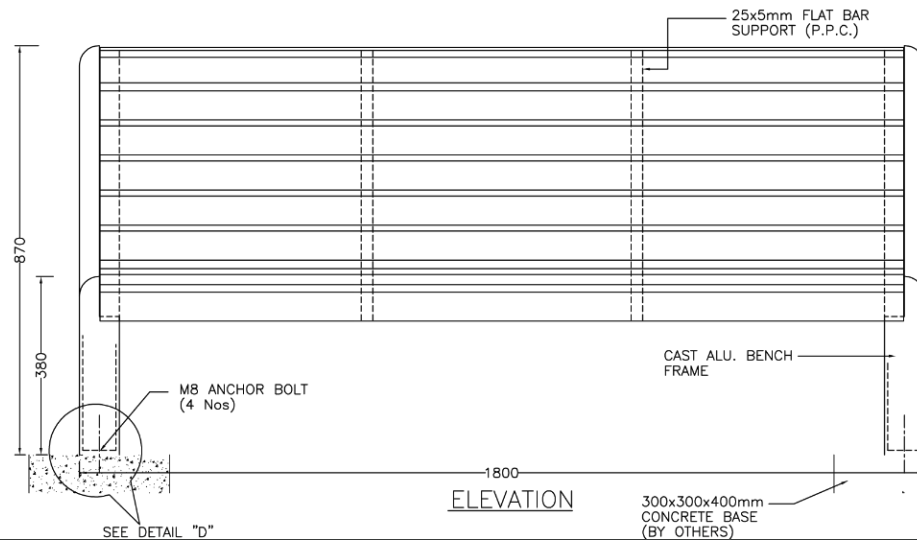
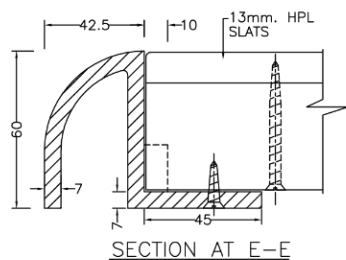
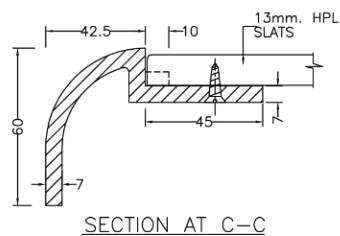
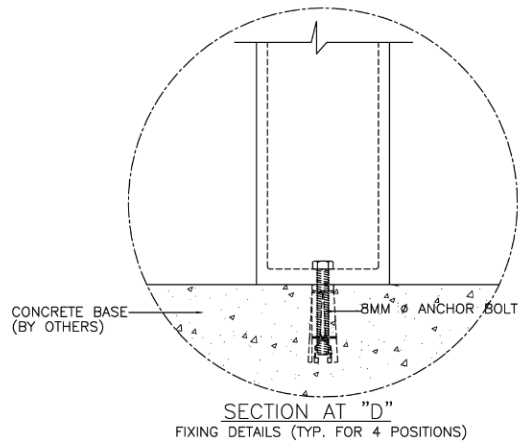
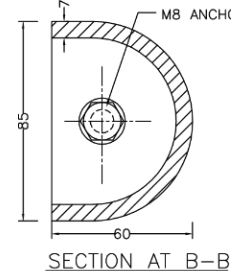
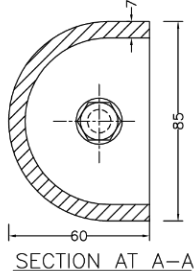
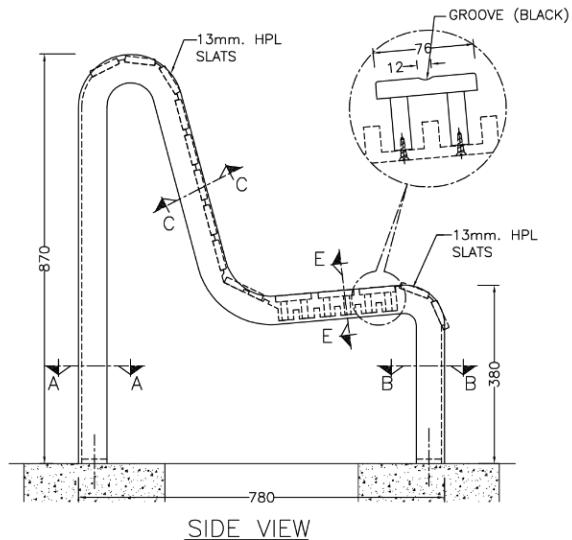
2. Bench support frame
made of cast alum.-6mm

3. All fixing bolts & screws are
stainless steel



MODEL PB – 006T

O: PB006T



1. BENCH SEAT AND BACK REST MADE OF HPL 13mm TO 19MM. HPL FLAT PANELS COLOUR: REFER COLOUR OPTIONS

2. BENCH SUPPORT FRAME MADE OF GRAVITY DIE CAST ALUMINIUM LM 6M CONFORMING TO BS 1490
FINISH: POLYESTER POWDER COATED TO BS 6496
COLOUR: REFER RAL COLOUR OPTIONS

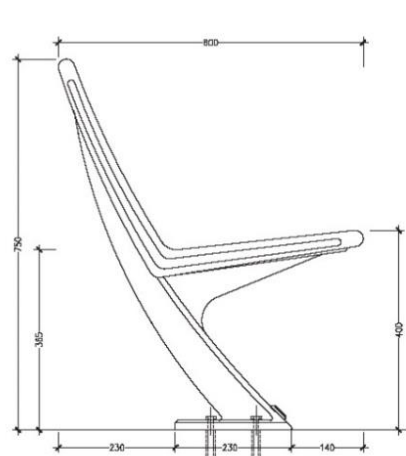
3. ALL FIXING BOLTS & SCREWS ARE STAINLESS STEEL

4. ALL DIMENSIONS ARE IN MM.

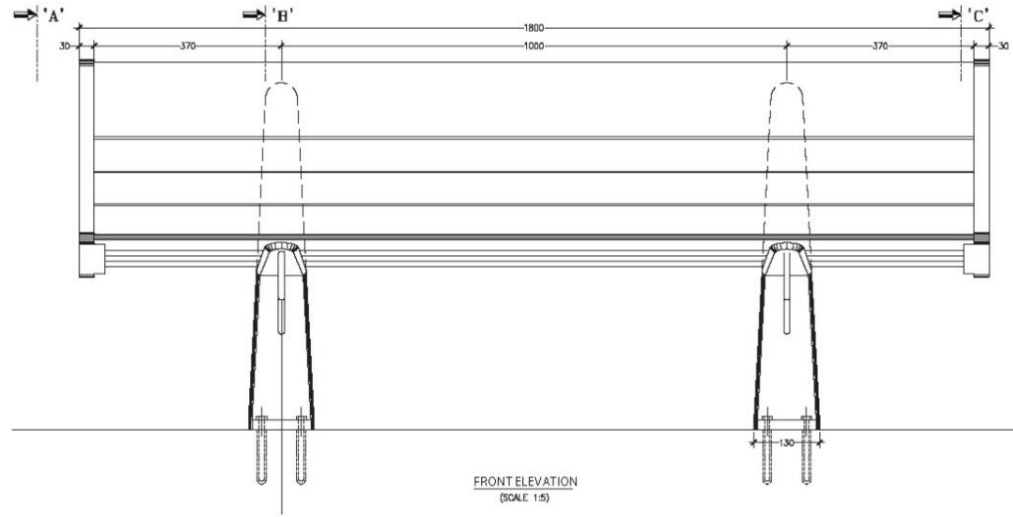
MODEL PB – 006T



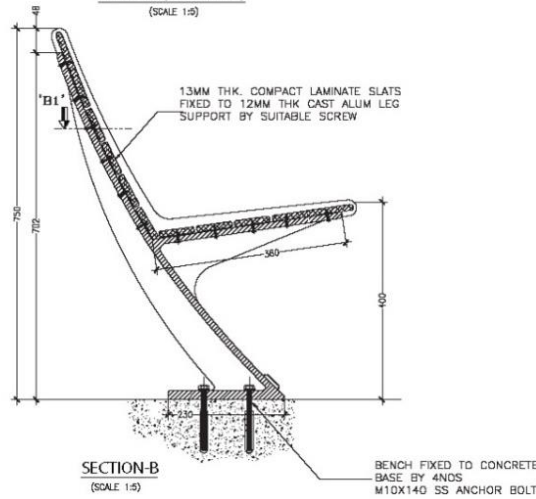
MODEL - PB 80



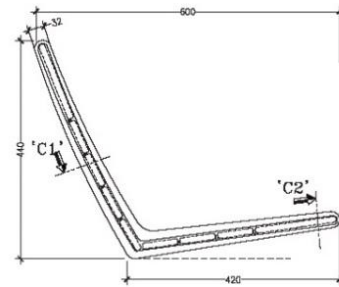
VIEW - A (SIDE VIEW)
(SCALE 1:50)



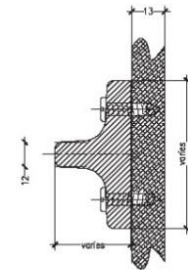
FRONT ELEVATION
(SCALE 1:5)



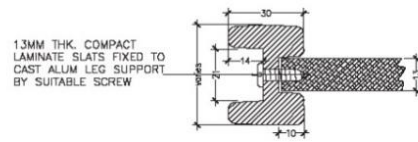
SECTION-B
(SCALE 1:5)



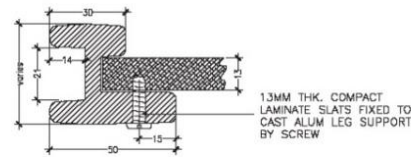
SECTION-C
(SCALE 1:1)



SECTION-B1
(SCALE 1:1)



SECTION -C1
(SCALE 1:1)



SECTION -C2
(SCALE 1:1)

HIGH PRESSURE SOLID GRADE COMPACT LAMINATE(HPL) IS A FLAT PANEL BASED ON THERMOSETTING RESINS, HOMOGENEOUSLY REINFORCED WITH WOOD FIBERS AND MANUFACTURED UNDER HIGH PRESSURE AND TEMPERATURE, UV RESISTANT, WEATHER RESISTANT, MOISTURE RESISTANT, RESISTANT TO EXTREME WEATHER FLUCTUATIONS AND IS FIRE RETARDANT.



RECYCLING & LITTER BINS



RECYCLING & LITTER BIN MODELS



RECYCLING BIN



LITTER BIN MODEL NO: LB – 008



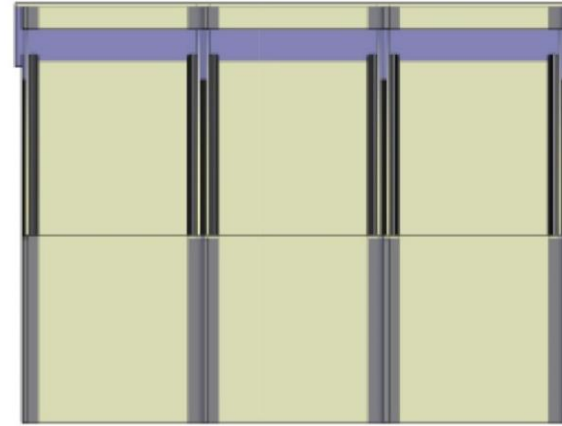
LITTER BIN MODEL NO: TLB 004A



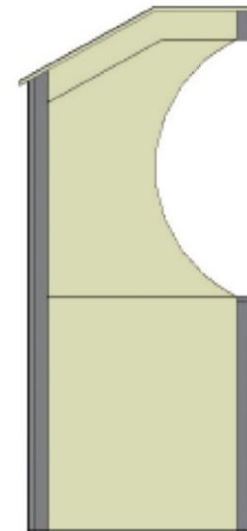
Recycling Bin is designed for waste management solution. It incorporates multiple bins for trash separation. Bin labels can be customized to enable recycling efforts and trash separation to be clearly understood, thus limiting contamination and reducing landfill.



3D VIEW



FRONT VIEW



SIDE VIEW

RECYCLING BIN



Specification

Litter Bin Surface: Made of 13mm thick compact laminate.

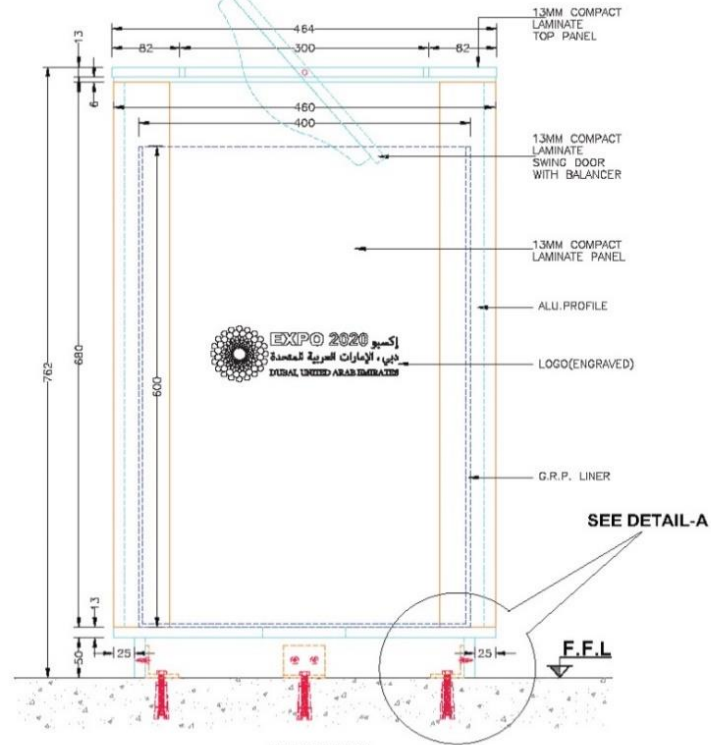
Framework: Made of High quality extruded aluminum section, powder coated to BS 6496.

Bin Liner: Made of Glass Reinforced Plastic in black color.

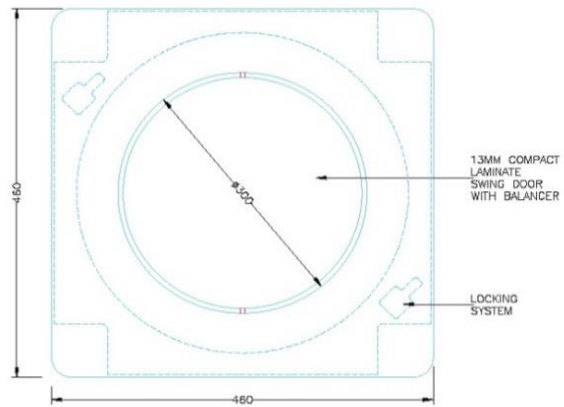
Bin Cover: Made of 13mm thick compact laminate.

Fixing: All fixing screws are stainless steel.

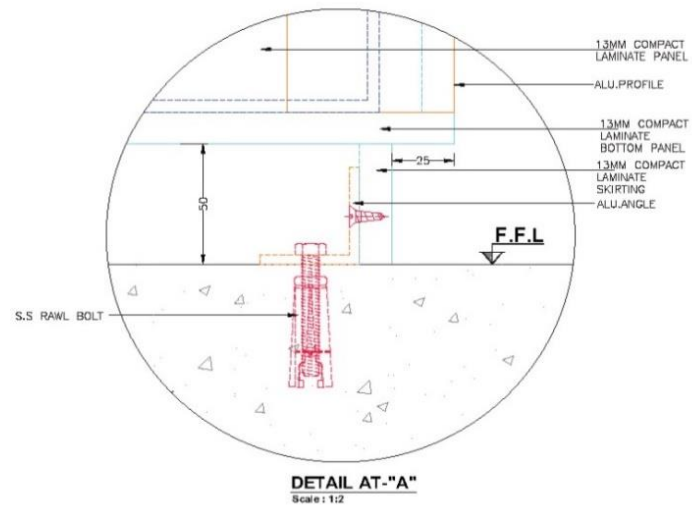
Dimension: 460 x 460 x 762mm



ELEVATION
Scale : 1:6



Scale : 1:6
PLAN



DETAIL AT-"A"
Scale : 1:2

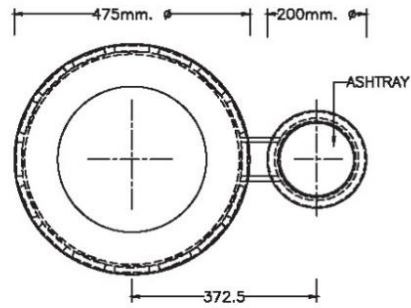
LITTER BIN – LB 008



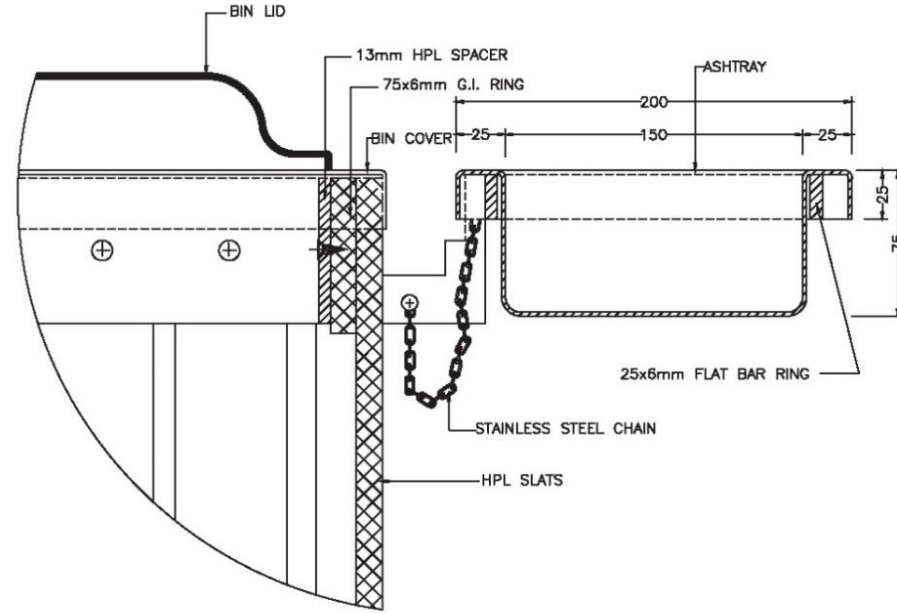
LITTER BIN – TLB 004A

LITTER BIN

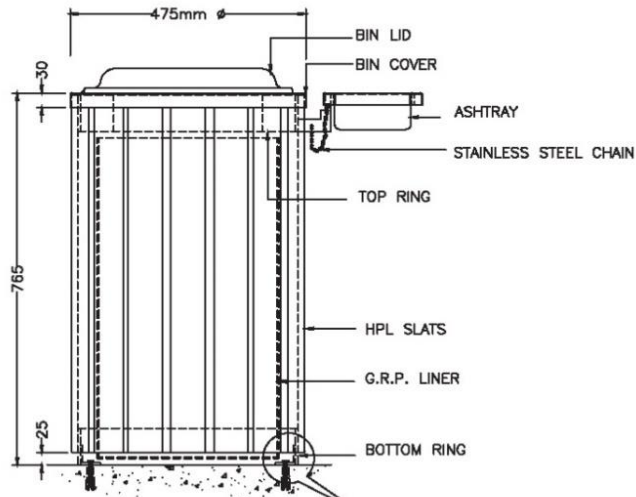
MODEL NO: TLB004L



PLAN

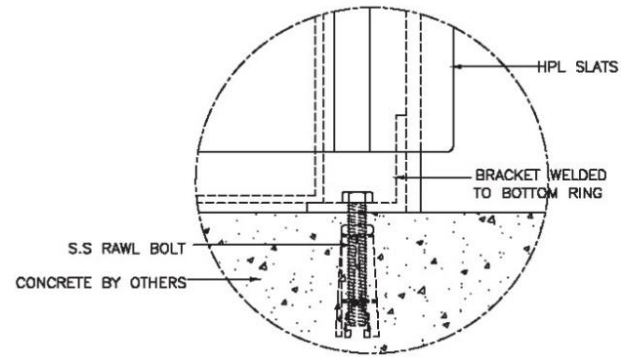


DETAIL OF ASH TRAY



ELEVATION

SEE FLOOR FIXING DETAILS



FLOOR FIXING DETAILS

LITTER BIN – TLB 004A



GAZEEBO





GAZEBO



GAZEBO