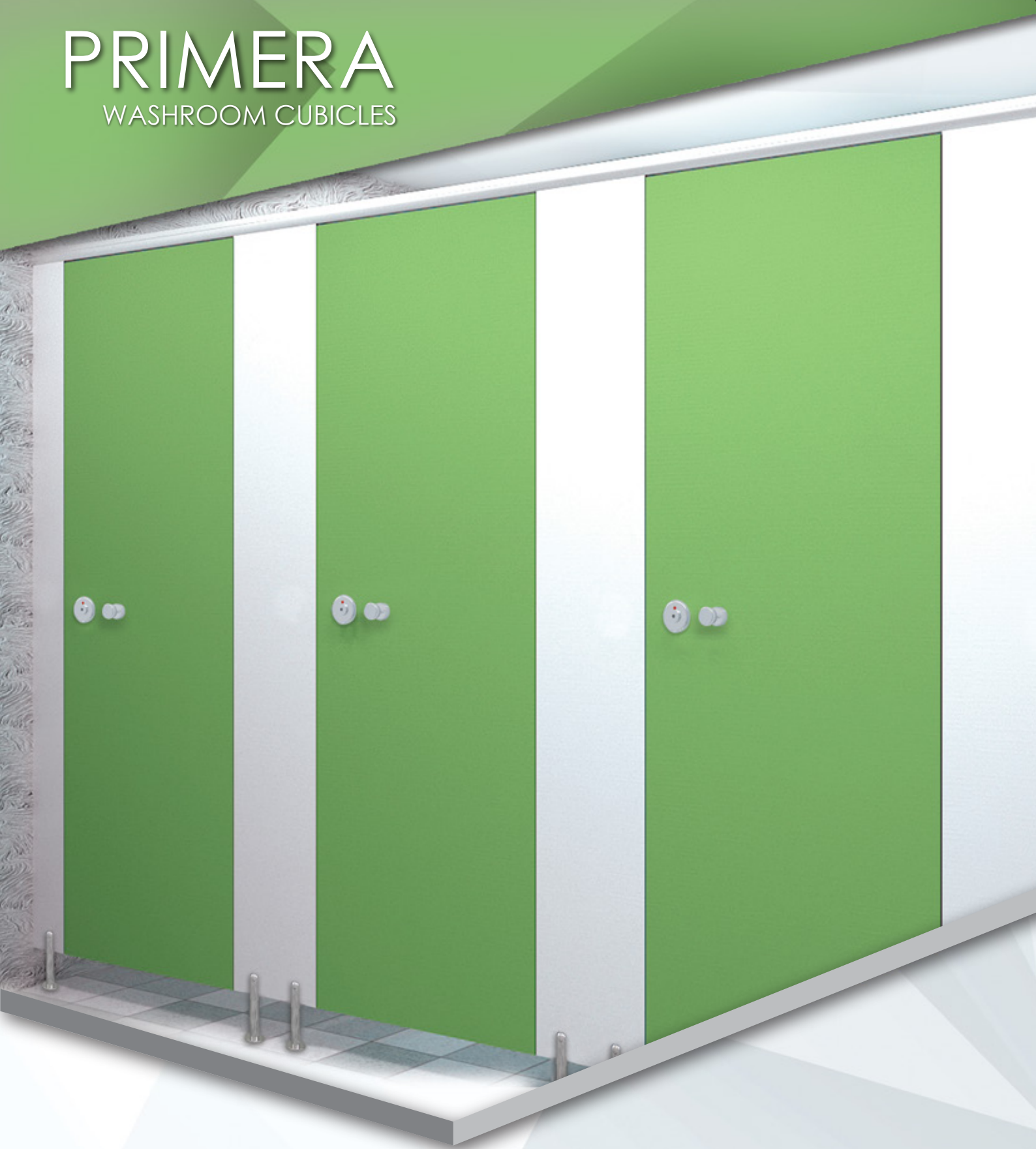


PRIMERA

WASHROOM CUBICLES



Classic floor mounted cubicle
with adjustable foot support.



SCRATCH RESISTANT



SOLVENT RESISTANT



FOOD GRADE



IMPACT RESISTANT



DURABLE



HEAT RESISTANT



EASY TO CLEAN



QUICK INSTALLATION

KEY FEATURES

- Suitable for areas which are intensively used.
- Aesthetic panel design and finishes to balance warm visual mood.
- Comes with different hardware options that results in distinct exterior appearance.
- Privacy lock options with red and white indicator and provision for emergency access.





STAINLESS STEEL HARDWARE
STAINLESS STEEL TOPRAIL



STAINLESS STEEL HARDWARE
ALUMINIUM TOPRAIL

STAINLESS STEEL HARDWARES (GRADE 316)

- 1 COAT HOOK
- 2 DOOR KNOB
- 3 PRIVACY LOCK
- 4 FLOOR SUPPORT
- 5 HINGES
- 6 WALL/DIVIDER SUPPORT
- 7 TOPRAIL

SPECIFICATION:

Post/Door/Divider Panels (nominal): 13mm

Standard Height: 2000mm

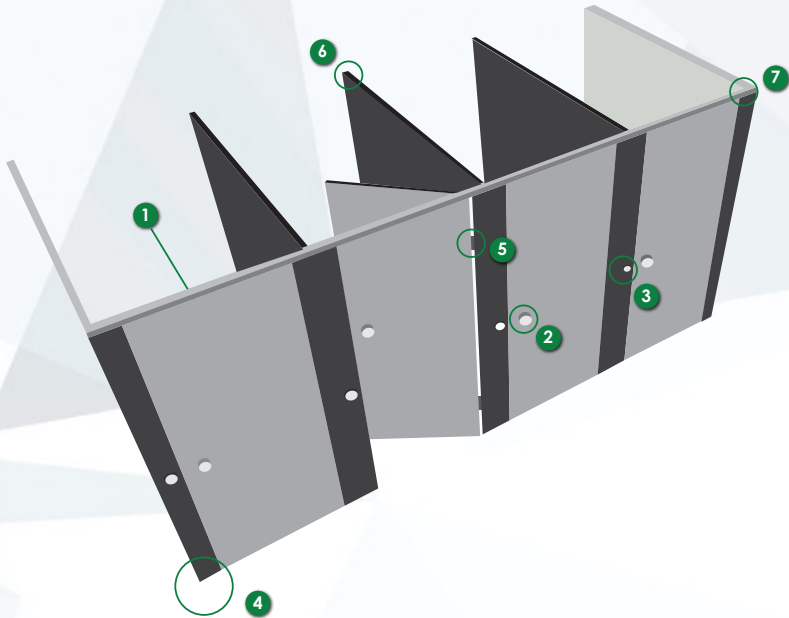
Depth/Width: according to layout

Door Opening: 700mm

Bottom Clearance: 50 - 150mm [+/-10mm]

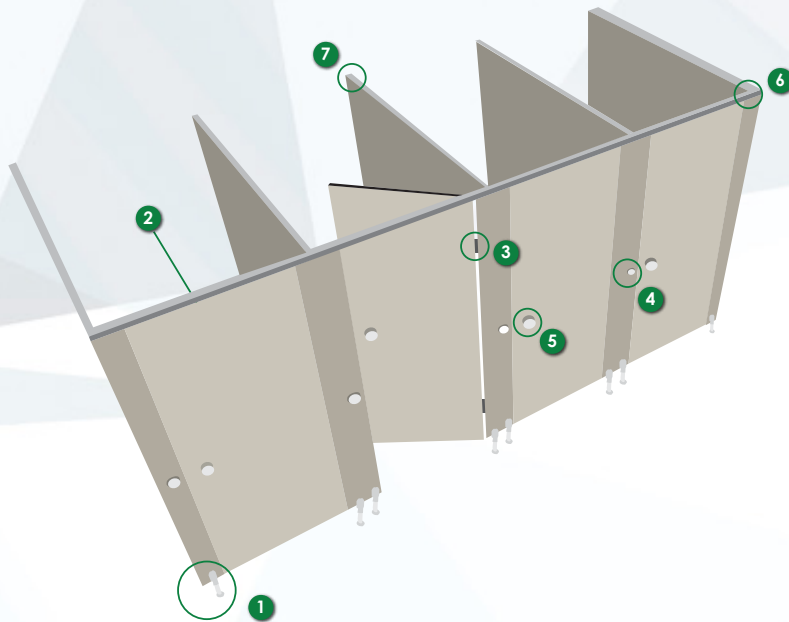
Option:

Floating effect with 50mm bottom clearance, adjustable foot to be provided on dividers.



NYLON HARDWARE OPTION

- 1 FLOOR SUPPORT
- 2 COAT HOOK
- 3 HINGES
- 4 DOOR KNOB
- 5 PRIVACY THUMBTURN
- 6 TOPRAIL
- 7 WALL/DIVIDER SUPPORT



SPECIFICATION:

Post/Door/Divider Panels (nominal): 13mm

Standard Height: 2000mm

Depth/Width: according to layout

Door Opening: 700mm

Bottom Clearance: 150mm [+/-10mm]

Aluminium profiles are polyester powder coated to match panel color.

